



# SAKB 12 F

## Rod end, maintenance-free, male thread

These SKF rod ends have an injection moulded sliding layer of PTFE FRP between the housing and the inner ring. This sliding contact surface combination is maintenance-free. The male thread is available with a left- (prefix SAL) or right-hand thread.

- Long service life
- Maintenance-free
- Relatively insensitive to contaminants
- Low coefficient of friction
- Simple and ready-to-mount

## Overview

### Dimensions

Bore diameter, bearing inner ring	12 mm
Centre height, housing (from end of shank)	54 mm
Housing length, total	72 mm
Outside diameter, housing eye	33 mm

### Properties

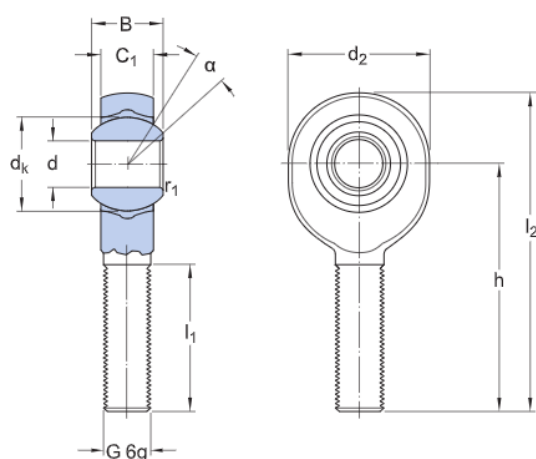
Thread designation	M 12
Attachment feature, rod end shank	Right-hand male thread
Maintenance	Maintenance-free
Material, housing	Steel
Material, inner ring	Bearing steel
Sealing	Without
Sliding contact surface combination	Steel/PTFE FRP

### Performance

Basic dynamic load rating	13.2 kN
Basic static load rating	15 kN

# Technical Specification

Maintenance	Maintenance-free
Sliding contact surface combination	Steel/PTFE FRP
Material, inner ring	Bearing steel
Sealing	Without
Attachment feature, rod end shank	Right-hand male thread



## Dimensions

d	12 mm	Bore diameter
d <sub>2</sub>	max. 33 mm	Diameter head
B	16 mm	Width inner ring
G	M 12	Thread
C <sub>1</sub>	max. 12.5 mm	Width head
h	54 mm	Height shank end face - centre rod end eye
α	13 °	Angle of tilt
d <sub>k</sub>	22.225 mm	Raceway diameter inner ring
l <sub>1</sub>	min. 32 mm	Length thread
l <sub>2</sub>	max. 72 mm	Length (height) housing
r <sub>1</sub>	min. 0.3 mm	Chamfer dimension bore

## Calculation data

Basic dynamic load rating	C	13.2 kN
Basic static load rating	C <sub>0</sub>	15 kN
Specific dynamic load factor	K	50 N/mm
Material constant	K <sub>M</sub>	530

## Mass

Mass rod end

0.1 kg

# Terms and conditions

By accessing and using this website / app owned and published by AB SKF (publ.) (556007-3495 · Gothenburg) ("SKF"), you agree to the following terms and conditions:

## Warranty Disclaimer and Limitation of Liability

Although every care has been taken to assure the accuracy of the information on this website / app, SKF provides this information "AS IS" and DISCLAIMS ALL WARRANTIES, EXPRESS OR IMPLIED, INCLUDING, BUT NOT LIMITED TO, IMPLIED WARRANTIES OF MERCHANTABILITY AND FITNESS FOR A PARTICULAR PURPOSE. You acknowledge that your use of this website / app is at your sole risk, that you assume full responsibility for all costs associated with use of this website / app, and that SKF shall not be liable for any direct, incidental, consequential, or indirect damages of any kind arising out of your access to, or use of the information or software made available on this website / app. Any warranties and representations in this website / app for SKF products or services that you purchase or use will be subject to the agreed upon terms and conditions in the contract for such product or service. Further, for non-SKF websites / apps that are referenced in our website / app or where a hyperlink appears, SKF makes no warranties concerning the accuracy or reliability of the information in these websites / apps and assumes no responsibility for material created or published by third parties contained therein. In addition, SKF does not warrant that this website / app or these other linked websites / apps are free from viruses or other harmful elements.

## Copyright

Copyright in this website / app copyright of the information and software made available on this website / app rest with SKF or its licensors. All rights are reserved. All licensed material will reference the licensor that has granted SKF the right to use the material. The information and software made available on this website / app may not be reproduced, duplicated, copied, transferred, distributed, stored, modified, downloaded or otherwise exploited for any commercial use without the prior written approval of SKF. However, it may be reproduced, stored and downloaded for use by individuals without prior written approval of SKF. Under no circumstances may this information or software be supplied to third parties.

This website /app includes certain images used under license from Shutterstock, Inc.

## Trademarks and Patents

All trademarks, brand names, and corporate logos displayed on the website / app are the property of SKF or its licensors, and may not be used in any way without prior written approval by SKF. All licensed trademarks published on this website / app reference the licensor that has granted SKF the right to use the trademark. Access to this website / app does not grant to the user any license under any patents owned by or licensed to SKF.

## Changes

SKF reserves the right to make changes or additions to this website / app at any time.